

10 GN GAS CONVECTION OVEN
FORNO CONVEZIONE GAS 10 GN

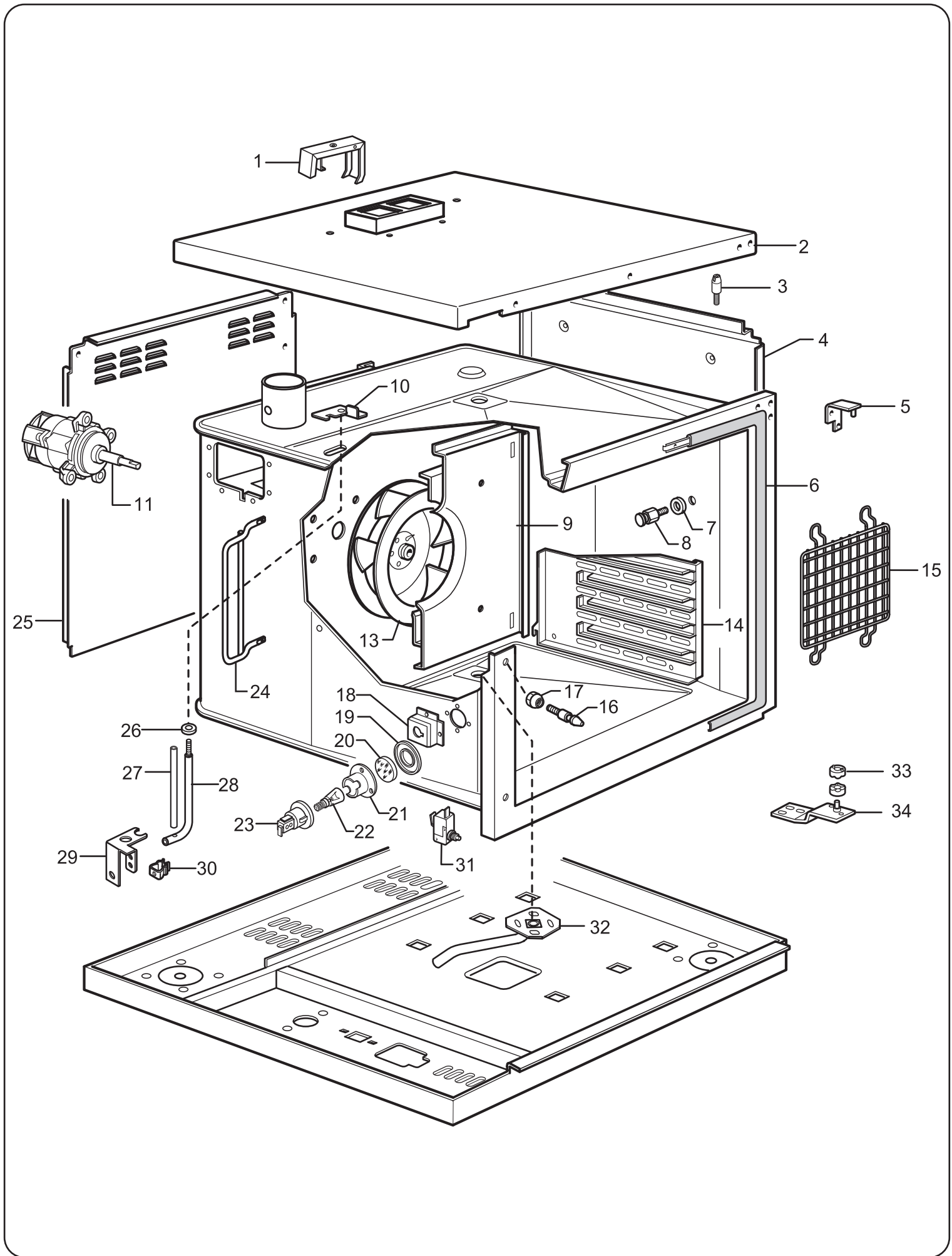
PNC	Model	Ref	Group	GN	Page	Notes
190ASU	ECF102GMS	d	ECF	2/1	2-3-4-5	220/230V 1N 60Hz
190AV4	ECFG101-0	a	ECF	1/1	2-3-4-5	220/230V 1N 50Hz
190CQP	ECFG101-0	a	ECF	1/1	2-3-4-5	220/230V 1N 50Hz
190CQS	ECF102GMS	d	ECF	2/1	2-3-4-5	220/230V 1N 60Hz
190EEI	ECFG102-0	c	ECF	2/1	2-3-4-5	220/230V 1N 50Hz
190EGP	RCFG102	z	Diamond	2/1	2-3-4-5	220/230V 1N 50Hz
190EP8	FCFG101/0	k	FCF	1/1	2-3-4-5	220/230V 1N 50Hz
191003	FCFG101/0	w	FCF	1/1	2-3-4-5	220/230V 1N 50Hz
240014	FCFG101-60Z	g	FCF	1/1	2-3-4-5	220/230V 1N 60Hz
240021	FCF102GMSZ	n	FCF	2/1	2-3-4-5	220/230V 1N 60Hz
240201	FCFG101/0	e	FCF	1/1	2-3-4-5	220/230V 1N 50Hz
240202	FCFG102-0	l	FCF	2/1	2-3-4-5	220/230V 1N 50Hz
240221	FCFG10160H	h	FCF	1/1	2-3-4-5	220V 1N 60Hz
240224	FCF102GMS	n	FCF	2/1	2-3-4-5	220/230V 1N 60Hz
240261	FCF/G101/1	f	FCF	1/1	2-3-4-5	Town 220/230V 1N 50Hz
240262	FCFG102-0T	m	FCF	2/1	2-3-4-5	Town 220/230V 1N 50Hz
240264	FCFG101-1J	i	FCF	1/1	2-3-4-5	100V 1 60Hz
240265	FCFG102-1J	o	FCF	2/1	2-3-4-5	100V 1 60Hz
240269	FCFG101-60	g	FCF	1/1	2-3-4-5	220/230V 1N 60Hz
260628	ECFG101-T	u	ECF	1/1	2-3-4-5	220/230V 1N 50Hz
260642	ECFG102-T	v	ECF	2/1	2-3-4-5	220/230V 1N 50Hz
260681	ECF101GMSZ	b	ECF	1/1	2-3-4-5	220/230V 1N 60Hz
260683	ECF102GMSZ	d	ECF	2/1	2-3-4-5	220/230V 1N 60Hz
260701	ECFG101-0	a	ECF	1/1	2-3-4-5	220/230V 1N 50Hz
260702	ECFG102-0	c	ECF	2/1	2-3-4-5	220/230V 1N 50Hz
260723	ECF101GMS	b	ECF	1/1	2-3-4-5	220/230V 1N 60Hz
260724	ECF102GMS	d	ECF	2/1	2-3-4-5	220/230V 1N 60Hz
697301	ACFG101-0	p	ACF	1/1	2-3-4-5	220/230V 1N 50Hz
697302	ACFG102-0	r	ACF	2/1	2-3-4-5	220/230V 1N 50Hz
697311	ACFG10160H	q	ACF	1/1	2-3-4-5	220V 1N 60Hz
697502	RCF101G	s	RCF	1/1	2-3-4-5	220/230V 1N 50Hz
697508	RCF101GK	t	RCF	1/1	2-3-4-5	220/230V 1N 50Hz
697515	RCFG102	z	RCF	2/1	2-3-4-5	220/230V 1N 50Hz

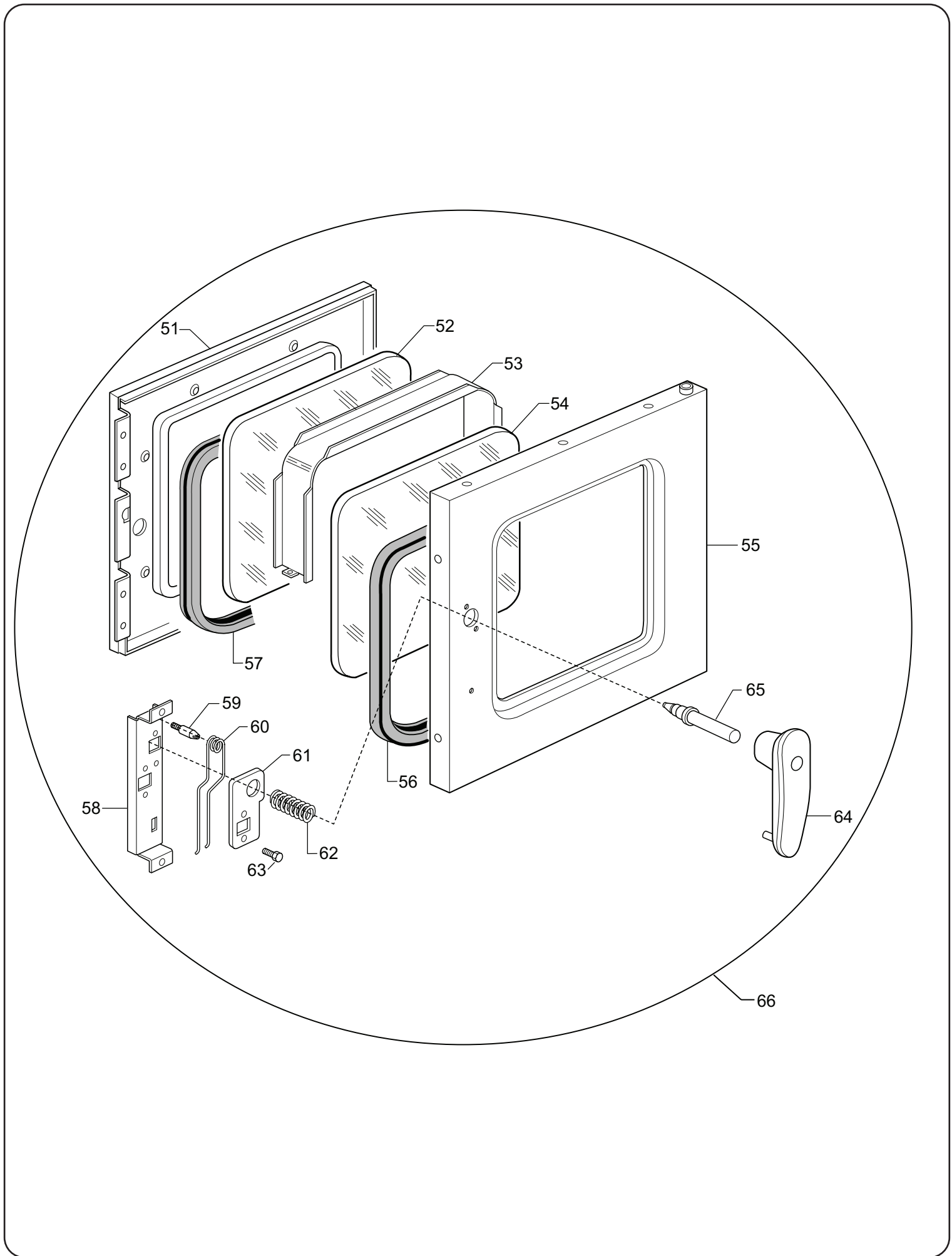
Page	Index	Indice	Note
2	Oven cabinet	Cella forno	
3	Door	Porta	
4-5	Gas components	Componenti gas	
6	Electrical components	Componenti elettrici	
7-12	Spare parts list	Lista ricambi	

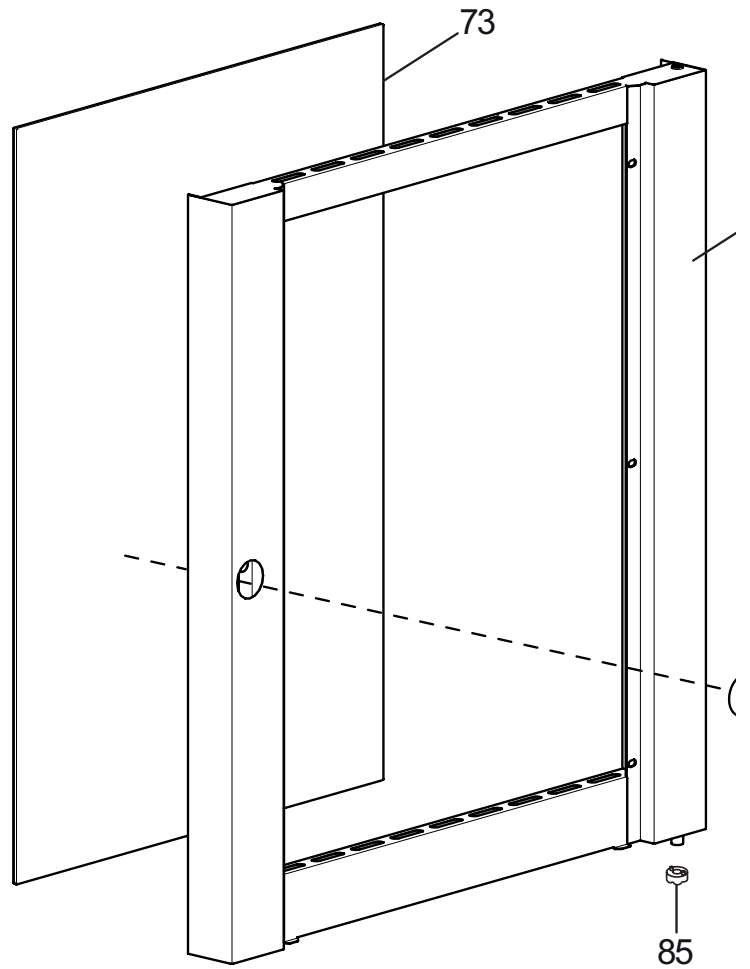
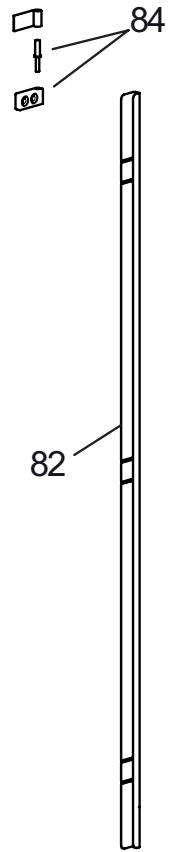
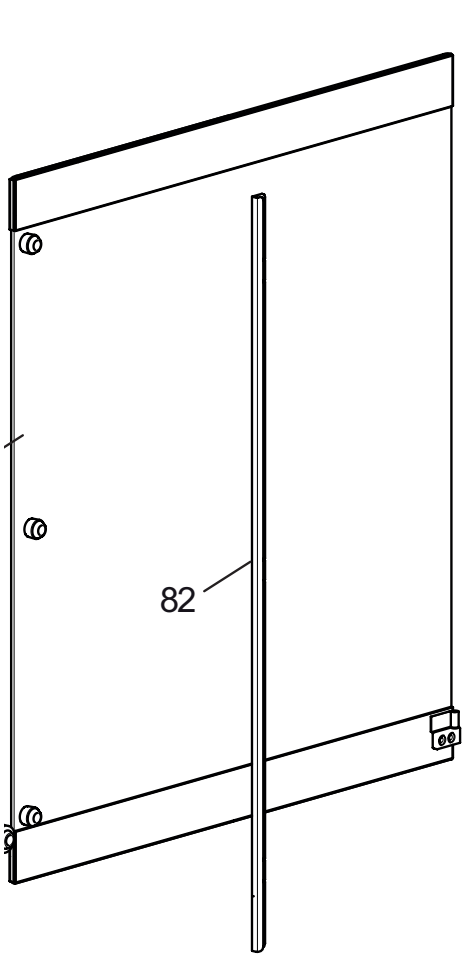
Bold=last change / Grassetto =ultima modifica

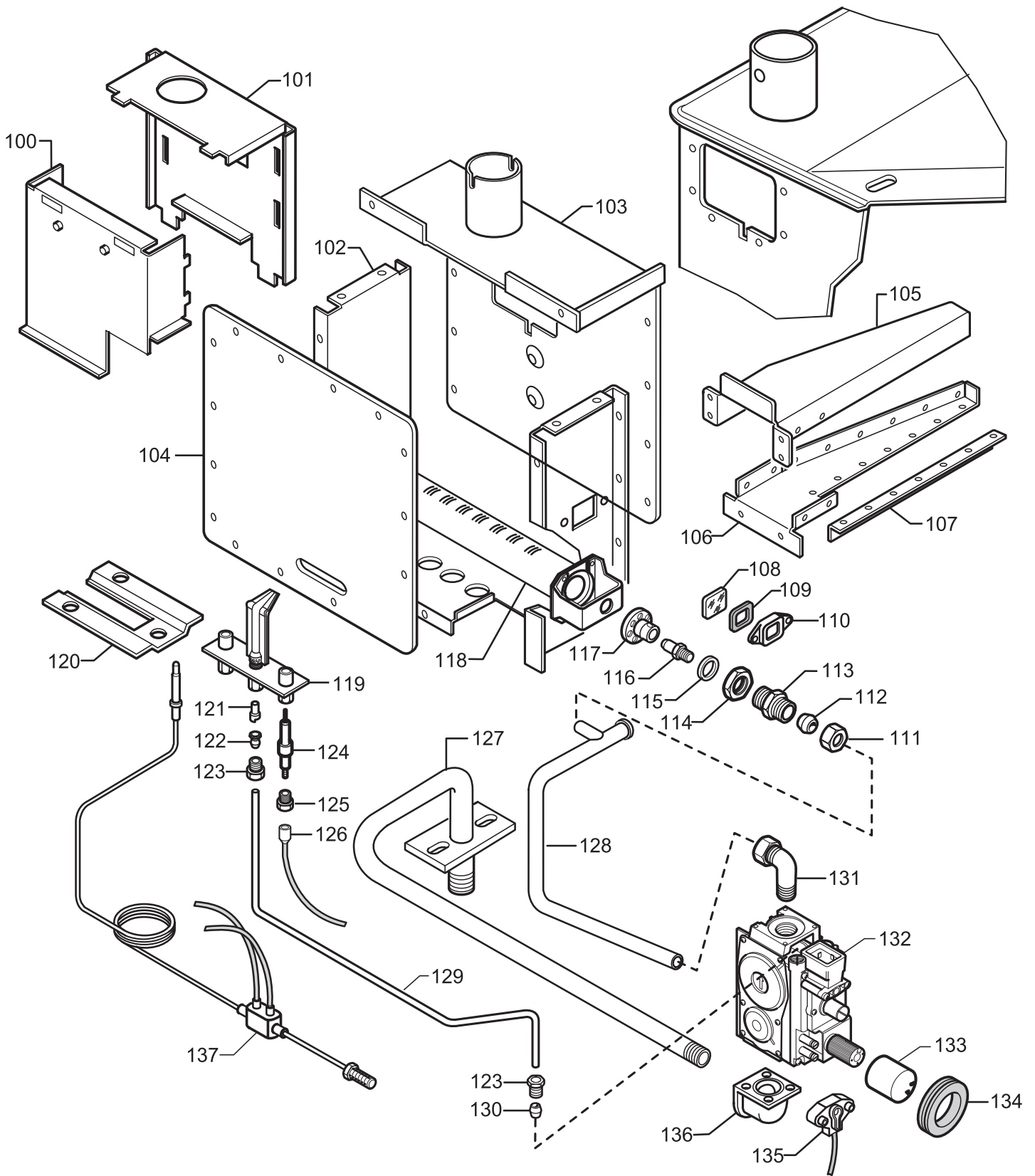
Brand/Marchio: All
Factory Code: 9PDD

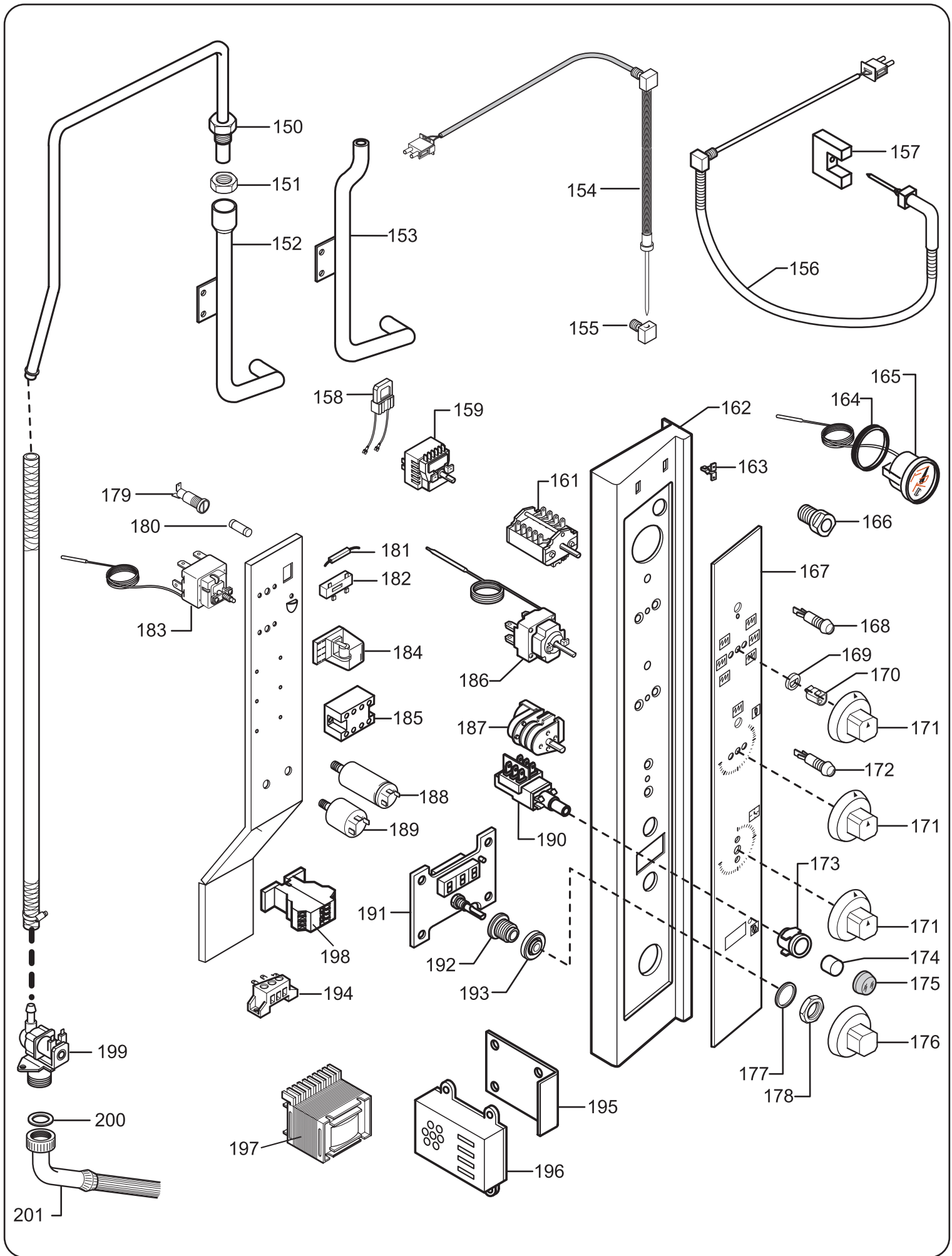
Rev. 8











10 GN GAS CONVECTION OVEN
FORNO CONVEZIONE GAS 10 GN

Pos	Factory Code	Spare part code	Descrizione	Description	Ref./Notes
			Pagina 2	Page 2	
1	0806819402	006722	By pass fumi	By pass, smokes	For GN 1/1
1	0806819501	006723	By pass fumi	By pass, smokes	For GN 2/1
2	0521882004	0C3161	Coperchio	Lid	For GN 1/1
2	0521880904		Coperchio	Lid	For GN 2/1
3	0214442702	052126	Perno filettato	Thread pin	
4	0521880303	0C0108	Fianco dx	R.H. side panel	For GN 1/1
4	0874878606	0C3752	Fianco sx	L.H. side panel	For GN 1/1
4	0521880502	0C0066	Fianco dx	R.H. side panel	For GN 2/1
4	0874878505	006903	Fianco sx	L.H. side panel	For GN 2/1
5	0512812401	003720	Cerniera superiore porta	Upper hinge, door	
6	0543825401	005712	Guarnizione cella	Gasket, oven cabinet	
7	0516822100	003225	Distanziale x supporto	Spacer, support	
8	0516809601	004390	Supporto per diffusori	Light diffuser support	
9	0850863907	003706	Parete aspirazione	Suction wall	For GN 1/1
9	0830812407	003716	Parete aspirazione	Suction wall	For GN 2/1
10	0525855300		Squadretta fissaggio termostato	Bracket, thermostat fixing	
11	0611804002	002616	Motore per ventola forno	Motor, fan oven	For GN 1/1
11	0611804200	002739	Motore per ventola forno	Motor, fan oven	For GN 2/1
11	0611804601	004083	Motore per ventola forno	Motor, fan oven	For GN 1/1 100V
11	0611804900	005333	Motore per ventola forno	Motor, fan oven	For GN 2/1100V
12					
13	0830882602	002617	Ventola forno	Fan, oven	For GN 1/1
13	0831857502	0C6461	Ventola forno	Fan, oven	For RCF - Kipro
13	0830812301	003715	Ventola forno	Fan, oven	For GN 2/1
13	0830865803	002139	Ventola forno	Fan, oven	For GN 1/1 60 Hz
13	0830817900	005334	Ventola forno	Fan, oven	For GN 2/1 60 Hz
14	0850865701	003707	Diffusore Dx	R. H. light diffuser	For GN 1/1
14	0850865801	003708	Diffusore Sx	L. H. light diffuser	For GN 1/1
14	0850865302	003717	Diffusore Dx	R. H. light diffuser	For GN 2/1
14	0850865402	003718	Diffusore Sx	L. H. light diffuser	For GN 2/1
15	0830824304	059620	Protezione ventola	Protection, fan	
16	0516822302	003712	Nasello per porta	Catch, door	
17	0516822400	003685	Controdado per nasello	Lock nut, catch	
18	0508840702	0C4062	Supporto portalampada	Support, lamp holder	
19	0508840801	002628	Flangia per guarnizione lampada	Flange, gasket lampe	
20	0574804900	002627	Vetro per lampada	Glass, lampe	
21	0543817202	002626	Guarnizione per lampada	Gasket, lampe	
22	0660802502	054840	Lampada	Lampe	
23	0660807200	0C5508	Portalampada	Lamp holder	
24	0830813800		Protezione laterale ventola	Protection, fan side	
25	0521881103	0C3113	Schienale	Back panel	
25	0523804003	*	Schienale	Back panel	For 100V - up to 5391...
25	0506404A00	*	Schienale	Back panel	For 100V - from 5401...
26	0214530100	057762	Rondella elastica	Spring washer	
27	0517844900	0C6436	Tubetto per termostato	Pipe, thermostat	

10 GN GAS CONVECTION OVEN
FORNO CONVEZIONE GAS 10 GN

Pos	Factory Code	Spare part code	Descrizione	Description	Ref./Notes
28	516823000	0C1260	Protezione termostato	Protection, thermostat	
29	0524846100	004719	Squadretta per bulbo termometro	Bracket, thermometer bulb	
30	0214584201	066823	Molla per bulbo termometro	Spring, thermometer bulb	
31	0640602014	046063	Microinterruttore	Microswitch	
32	0830812503	003776	Tube scarico condensa	Drain pipe, condensation	
33	0510815700	002653	Cilindri dentati cerniera	Hinge teeth cylinders	
34	0512812500	003721	Cerniera inferiore porta	Lower hinge door	
			Pagina 3	Page 3	
51	0502886405	003711	Controporta	Inner door	
52	0574805200	002644	Vetro porta interno	Inside glass, door	
53	0524820101	0C4472	Distanziale vetri	Spacer, glassies	
54	0574805200	002644	Vetro porta esterno	Outside glass, door	
55	0851801402	006034	Porta forno	Door, oven	Up to 331100..
55	0851801404	0C9596	Porta forno	Door, oven	From 332100..
56	0543818701	002878	Guarnizione vetro esterno	Outside gasket, glass	
57	0543819902	003739	Guarnizione vetro interno	Inside gasket, glass	
58	0525864802	006939	Supporto serratura porta	Support. lock door	
59	0214442702	052126	Vite per molla	Screw, spring	
60	0514834100	054282	Molla per serratura porta	Spring, lock door	
61	0527801200	0C0446	Piastrina arresto molla	Plate, spring stopped	
62	0514825203	053757	Molla richiamo pulsante	Spring, push button returning	
63	0514824801	053759	Vite fissaggio piastrina	Screw, plate fixing	
64	0806807500	0F0135	Maniglia porta	Handle, door	Up to 331100..
64	0805405L01	0C9549	Maniglia porta	Handle, door	From 332100..
65	0516850600	0C0447	Divaricatore molla	Retractor, spring	Up to 331100..
65	0514402800	0C9546	Divaricatore molla	Retractor, spring	From 332100..
66	0851801709	0C1614	Porta completa + maniglia	Complete door + handle	From 332100..
			Pagina 4	Page 4	
70	0541813000	0C6111	Door micro actuator	Door micro actuator	k
71	0518806205	0C6051	Glass stopper spring	Glass stopper spring	k
72	0855400700	0C6518	Complete internal glass	Complete internal glass	k
73	0574400800	0C6514	Complete external glass	Complete external glass	k
74	0850401700		Door frame	Door frame	k
81	0805887701	002717	Handle, door	Handle, door	k
82	0800400500	0CBAKC	Glass stopper profile	Glass stopper profile	k
83	0806822000	007007	Internal glass hinge	Internal glass hinge	k
85	0510815700	002653	Door positioner	Door positioner	k
			Pagina 5	Page 5	
100	0524819800	006533	Fascia interna camera di comb.	Inside band, comb. chamber	For GN 1/1
100	0524816701	006901	Fascia interna camera di comb.	Inside band, comb. chamber	For GN 2/1
101	0524818803	006532	Schienale int. camera di comb.	Inside back panel, comb.	For GN 1/1
101	0524816600	006902	Schienale int. camera di comb.	Inside back panel, comb.	For GN 2/1
102	0524812104	0C3887	Fascia camera di combustione	Band, combustion chamber	For GN 1/1
102	0524812304	0C3351	Fascia camera di combustione	Band, combustion chamber	For GN 2/1
103	0850864903	0C3888	Schienale camera di combustione	Back panel, combustion chamb.	For GN 1/1

10 GN GAS CONVECTION OVEN
FORNO CONVEZIONE GAS 10 GN

Pos	Factory Code	Spare part code	Descrizione	Description	Ref./Notes
103	0850864603	0C3352	Schienale camera di combustione	Back panel, combustion chamb.	For GN 2/1
104	0524818700	0C3895	Pannello anter. camera comb.	Front wall, combustion chamber	For GN 1/1
104	0524813902	0C3353	Pannello anter. camera comb.	Front wall, combustion chamber	For GN 2/1
105	0524817301	0C3253	Condotto sup. camera comb.	Upper duct, combustion chamb.	For GN 1/1
105	0524816803	0C3354	Condotto sup. camera comb.	Upper duct, combustion chamb.	For GN 2/1
106	0524817201	0C3252	Condotto inferiore camera comb.	Lower duct, combustion chamb.	For GN 1/1
106	0524816900	0C3355	Condotto inferiore camera comb.	Lower duct, combustion chamb.	For GN 2/1
107	0525857700	0C3251	Squadretta rinforzo condotto	Bracket, duct reinforcement	For GN 1/1
107	0525857500	0C3356	Squadretta rinforzo condotto	Bracket, duct reinforcement	For GN 2/1
108	0275290025	057400	Vetro spia bruciatore	Inspection glass, burner	
109	0282217401	057402	Guarnizione per vetro spia	Gasket, inspection glass	
110	0538800700	057382	Cornice per vetro spia	Frame, inspection glass	
111	0214111412	050670	Dado per bicono	Nut, biconical ring	
112	0215170716	050682	Anello bicono ø 12 mm	Biconical ring, diam.12 mm	
113	0516831000	005331	Raccordo portaugello	Nipple, nozzle holder	
114	0214105101	020997	Controdado	Lock nut	
115	0506833401	054029	Guarnizione ugello	Gasket, nozzle	
116	0514853200	055388	Ugello ø 3,30	Nozzle diam. 3,30	G 20- G25
116	0514870000	058246	Ugello ø 3,60	Nozzle diam. 3,60	G 25- 20 mbar
116	0514856400	055459	Ugello ø 2,15	Nozzle diam. 2,15	G30/G31 28/37 mbar
116	0514831100	054033	Ugello ø 1,90	Nozzle diam. 1,90	G 30/G31 50 mbar
116	0516821500	003371	Ugello ø 2,75	Nozzle diam. 2,75	G 20- G25 For GN 2/1
116	0514831200	054034	Ugello ø 3,00	Nozzle diam. 3,00	G 25- 20 mbar For GN 2/1
116	0516823500	003723	Ugello ø 1,75	Nozzle diam. 1,75	G30/G31 28/37 mbar For GN 2/1
116	0516823400	003722	Ugello ø 1,55	Nozzle diam. 1,55	G 30/G31 50 mbar For GN 2/1
116	0514831300		Ugello ø 6,25	Nozzle diam. 6,25	For town gas
116	0516840100		Ugello ø 5,65	Nozzle diam. 5,65	For town gas
116	0A05177400	0A2106	Ugello ø 5	Nozzle diam. 5	For town gas 2/1
116	0514830000	054127	Ugello ø 1,65	Nozzle diam. 1,65	G30 37mbar
116	0516843800	0C2811	Ugello ø 2,00	Nozzle diam. 2,00	G30 37mbar
116	0516806300		Ugello ø 2,60	Nozzle diam. 2,60	
116	0516821700	003514	Ugello ø 1.95	Nozzle diam. 1.95	
117	0830898801	0C9105	Aeratore bruciatore	Aerator, burner	
118	0830812800	003709	Bruciatore	Burner	
119	0830828100	054032	Bruciatore pilota	Pilot burner	
120	0508883400	0C7099	Protezione bruciatore pilota	Protection, pilot burner	For GN 1/1
120	0508886400	0C5270	Protezione bruciatore pilota	Protection, pilot burner	For GN 2/1
121	0514831500	054037	Ugello pilota N°25	Nozzle N°25	G 20- 20 mbar
121	0514831500	054037	Ugello pilota N°25	Nozzle N°25	G 25- 20/25 mbar
121	0514833900	054286	Ugello pilota N°24	Nozzle N°24	G 30/31 28-30/37-50
121	0514831600	054038	Ugello pilota 2 fori 0,45	Nozzle	For Town Gas
122	0215199700	052127	Anello bicono ø 4 mm	Biconical ring, diam.4 mm	
123	0214164400	052125	Raccordo ø 4 mm	Nipple, diam.4 mm	
124	0830872200	059988	Elettrodo di accensione	Electrode, ignition	

10 GN GAS CONVECTION OVEN
FORNO CONVEZIONE GAS 10 GN

Pos	Factory Code	Spare part code	Descrizione	Description	Ref./Notes
125	0214164101	057960	Raccordo per elettrodo	Nipple, electrode	
126	0638888000	003755	Cavetto accensione	Cable, spark plug	
127	0806855001	0C9077	Conduttura alimentazione gas	Inlet pipe, gas	
127	051540BJ00		Conduttura alimentazione gas	Inlet pipe, gas	k
128	0806854901	0C9078	Conduttura, valvola gas – bruc.	Pipe, gas valve - burner	For GN 1/1
128	0806855100		Conduttura, valvola gas – bruc.	Pipe, gas valve - burner	For GN 2/1
128	051540BH00		Conduttura, valvola gas – bruc.	Pipe, gas valve - burner	k
129	0517844000	0C6348	Conduttura pilota	Pipe, pilot burner	For GN 1/1
129	0517843600	0C5606	Conduttura pilota	Pipe, pilot burner	For GN 2/1
129	0806805500	0C0924	Conduttura pilota	Pipe, pilot burner	For GN 1/1 100V
129	0806805600	0C1635	Conduttura pilota	Pipe, pilot burner	For GN 2/1 100V
129	51540BK00		Conduttura pilota	Pipe, pilot burner	k
130	0215199700	052127	Anello bicono ø 4 mm	Biconical ring, diam.4 mm	
131	0515883200	006240	Raccordo 90° per valvola gas	Nipple 90°, gas valve	
132	0835840301	003719	Valvola gas	Gas valve	
132	0835851100	006182	Valvola gas	Gas valve	For 60 Hz
133	0546811100	003704	Rivestimento per manopola	Covering, knob	
134	0543820002	003705	Gommino per manopola	Stuffing gasket, knob	
135	0830831400	054539	Microinterruttore valvola gas	Microswitch, gas valve	
136	0830866100	0A5398	Raccordo valvola gas	Nipple, gas valve	
137	0830828703	054055	Assieme termocoppia	Thermocouple assembly	
			Pagina 6	Page 6	
150	0806869300	0C5543	Conduttura per umidificatore	Pipe, humidifier	
151	0514875601	006245	Dado	Nut	
152	0805899404	0C4403	Tubo umidificatore	Pipe, humidifier	For GN 1/1
153	0805897903	003751	Tubo umidificatore	Pipe, humidifier	For GN 2/1
154	0830816900	002673	Sonda spillone	Meat probe	200V, 100V GN 1/1
155	0511810201	002674	Fermo per sonda spillone	Stopping, meat probe	200V, 100V GN 1/1
156	0830888402	006192	Sonda spillone	Meat probe	200V, 100V GN 2/1
157	0511850700	006175	Fermo per sonda spillone	Stopping, meat probe	200V, 100V GN 2/1
158	0694801600	003510	Snubber	Snubber	
159	0699802200	0C1605	Regolatore di energia	Energy regulator	
161	0641400000	0C6245	Commutatore	Change-over switch	
162	0851812902	0C5101	Cruscotto	Control panel	
162	0850401202	0C6517	Cruscotto	Control panel	k
163	0518801801	053342	Molla per marchio	Spring, brand	
164	0543801600	053809	Guarnizione termometro	Gasket, thermometer	
165	0835821400	056383	Termometro	Thermometer	
166	0830828400	053976	Spia controllo fiamma bruc.	Inspection flame, burner	
167	0675832201	0C4847	Membrana cruscotto	Membrane, control panel	for Group ECF - up to 331100..
167	0675823901	0C5536	Membrana cruscotto	Membrane, control panel	for Group FCF - up to 331100..
167	0675824101	0C9576	Membrana cruscotto	Membrane, control panel	for Group ACF - up to 331100..
167	0675841401		Membrana cruscotto	Membrane, control panel	for Group RCF - up to 331100..
167	0541400N03	0C9592	Membrana cruscotto	Membrane, control panel	for Group ECF - from 332100..

10 GN GAS CONVECTION OVEN
FORNO CONVEZIONE GAS 10 GN

Pos	Factory Code	Spare part code	Descrizione	Description	Ref./Notes
167	0541400S01	0C9594	Membrana cruscotto	Membrane, control panel	for Group FCF - from 332100..
167	0541400Q01	0C9593	Membrana cruscotto	Membrane, control panel	for Group ACF - from 332100..
167	0541400T02	0C9595	Membrana cruscotto	Membrane, control panel	for Group RCF - from 332100..
167	04P0212200		Membrana cruscotto	Membrane, control panel	k
168	0660804200	058544	Lampada spia verde	Green indicator lamp	
168	0661400000	0C6080	Lampada spia	Indicator lamp	k
169	0543801701	0C3796	Guarnizione per manopola	Gasket, knob	
170	0214590701	025245	Molletta per manopola	Spring, knob	
171	0548837200	002672	Manopola con indicatore	Knob, with indicator	for Group FCF - up to 3311
171	0548837400	003743	Manopola con indicatore	Knob, with indicator	for Group ECF-RCF - up to 3311
171	0548837900	0A5324	Manopola con indicatore	Knob, with indicator	for Group ACF - up to 3311
171	0548400101	0C6076	Manopola con indicatore	Knob, with indicator	for all Groups - from 3321
172	0660804300	058522	Lampada spia gialla	Yellow indicator lamp	
172	0661400000	0C6080	Lampada spia	Indicator lamp	k
173	0548845000	003767	Supporto per interruttore	Support, switch	
174	0548844900	003768	Pulsante per interruttore	Push button, switch	
175	0548801500	053979	Protezione pulsante	Protection, push button	
176	0548837300	002671	Manopola senza indicatore	Knob, with out indicator	Up to 3311
176	0548872200	0C4875	Manopola senza indicatore	Knob, with out indicator	From 3321
177	0508836400	002727	Rondella	Washer	
178	0214114900	051263	Controdado	Lock nut	
179	0652800401	056582	Portafusibile	Fuse holder	
180	0652801800	002820	Fusibile 160 mA	Fuse 160 mA	
181	0617813201	058872	Resistenza 100 ohm	Resistor	
182	0639805100	058873	Morsettiera per resistenza	Terminal board, resistor	
183	0646807700	003594	Termostato di sicurezza	Safety thermostat	
184	0648803001	058857	Rele'	Relay	
185	0624803800	003376	Accenditore elettrico	Spark generator	
186	0646804001	056384	Termostato	Thermostat	
187	0646802400	055366	Temporizzatore	Timer	Up to 27/97
187	0646808400	003833	Temporizzatore	Timer	From 28/97 up to 41/12
187	*	0C8755	Temporizzatore	Timer	From 42/12
188	0694800300	056148	Condensatore 10 µF	Condenser 10 µF	For GN 1/1
188	0694800600	047744	Condensatore 20 µF	Condenser 20 µF	For GN 2/1
188	83040HZ00	0C4813	Condensatore 80 µF	Condenser 80 µF	For 100V
189	0694400U00	0CB477	Filtro RFI	RIF filter	
190	0641803100	003766	Int. per sonda spillone	Switch, meat probe	For 200V, 100V
191	0675817301	003763	Scheda per sonda spillone	Board, meat probe	For 200V, 100V - up to 7111
191	0675401D01	0CB045	Scheda per sonda spillone	Board, meat probe	For 200V, 100V - from 7121
192	0516807301	002662	Boccola per manopola	Bushing, knob	For 200V, 100V
193	0543816100	002663	Guarnizione per boccola	Gasket, bushing	For 200V, 100V

**10 GN GAS CONVECTION OVEN
FORNO CONVEZIONE GAS 10 GN**

Pos	Factory Code	Spare part code	Descrizione	Description	Ref./Notes
194	0639804900	046357	Morsettiera	Terminal board	
195	0524886400	0TTK40	Squadretta supporto ronzatore	Bracket support, buzzer	Up to 705
195	0538821300	*	Squadretta supporto ronzatore	Bracket support, buzzer	From 706 - up to 5121
195	0505404M01	0CA260	Squadretta supporto ronzatore	Bracket support, buzzer	From 5131
196	0675800503	055368	Ronzatore	Buzzer	Up to 1071
196	675400B00	0C7006	Ronzatore	Buzzer	From 1081 - up to 5391
196	675401000	0CA485	Ronzatore	Buzzer	From 5401
197	0624804600	005321	Trasformatore	Transformer	For 100V
198	0648807300	088477	Contattore	Contactator	For 100V
199	0696400000	0C6081	Elettr. per umidificatore	Solenoid valve, humidifier	
200	0246001622	061488	Guarnizione	Gasket	
201	0830824600	053789	Tubo carico acqua	Inlet pipe, water	